

DHI-HY-C151

Conventional Sounder Strobe



- Meets all requirements of latest EN54
- Two-wire, polarity-free realizes convenient wiring
- Completes EMC test, it has strong anti-electromagnetic interference ability, high stability and reliability
- Ultra-low consumption and strong loading capacity
- Loud sound output over 75 dB(A) at 3 meters, accompanied with bright alarm signal
- Non-loosening screws on base terminal for easy installation
- Contacts material is highly acid-resistant and rust-resistant

System Overview

DHI-HY-C151 Conventional Sounder Strobe is a mated product of the Conventional Fire Alarm Control Panel. Integrated with two-wire and polarity-free technology, it sends out an audible and light alarm signal to remind people when fire occurs.

Functions

Audible and light alarm

When alarm is triggered, an audible and light alarm signal is sent out.

Non-addressable

Without encoding, easy debugging and operating.

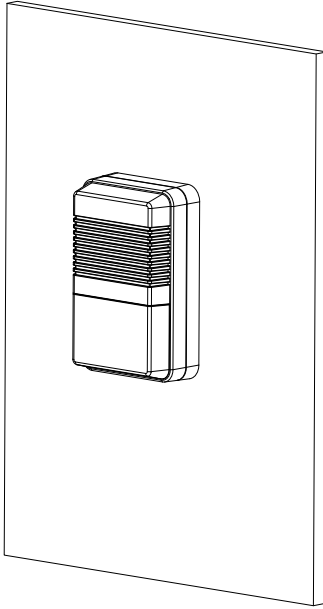
Scene

It is suitable for hotels, shopping malls, office buildings, underground garages, and other crowded or large buildings.

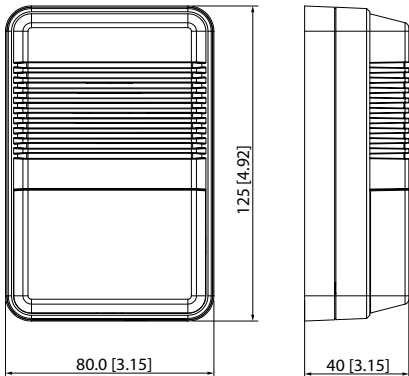
Technical Specification

Working Voltage	DC16V-DC28V
Rated Power	132.6mW
Current	Standby current: $\leq 400\mu\text{A}$ Alarm current: $\leq 8\text{mA}$
Alarm Mode	Visual and audible alarm
Alarm Volume	Modified Tone:4s-5s Sound Pressure Level:75dB-115dB (A) at 3 m (9.84 ft)
Operating Temperature	-10°C to $+55^{\circ}\text{C}$ ($+14^{\circ}\text{F}$ to $+131^{\circ}\text{F}$)
Operating Humidity	$\leq 95\%$ RH (no condensation)
Dimensions (with base)	125 mm \times 80 mm \times 40 mm (4.92" \times 3.15" \times 1.57")
Weight (with base)	118 g (0.26 lb)
Installation	Wall Mount
Compliance Standard	EN54-3:2014, EN54-23:2010

Installation



Dimensions (mm/inch)



Ordering Information

Type	Part Number	Description
Conventional Sounder Strobe	DHI-HY-C151	Conventional Sounder Strobe